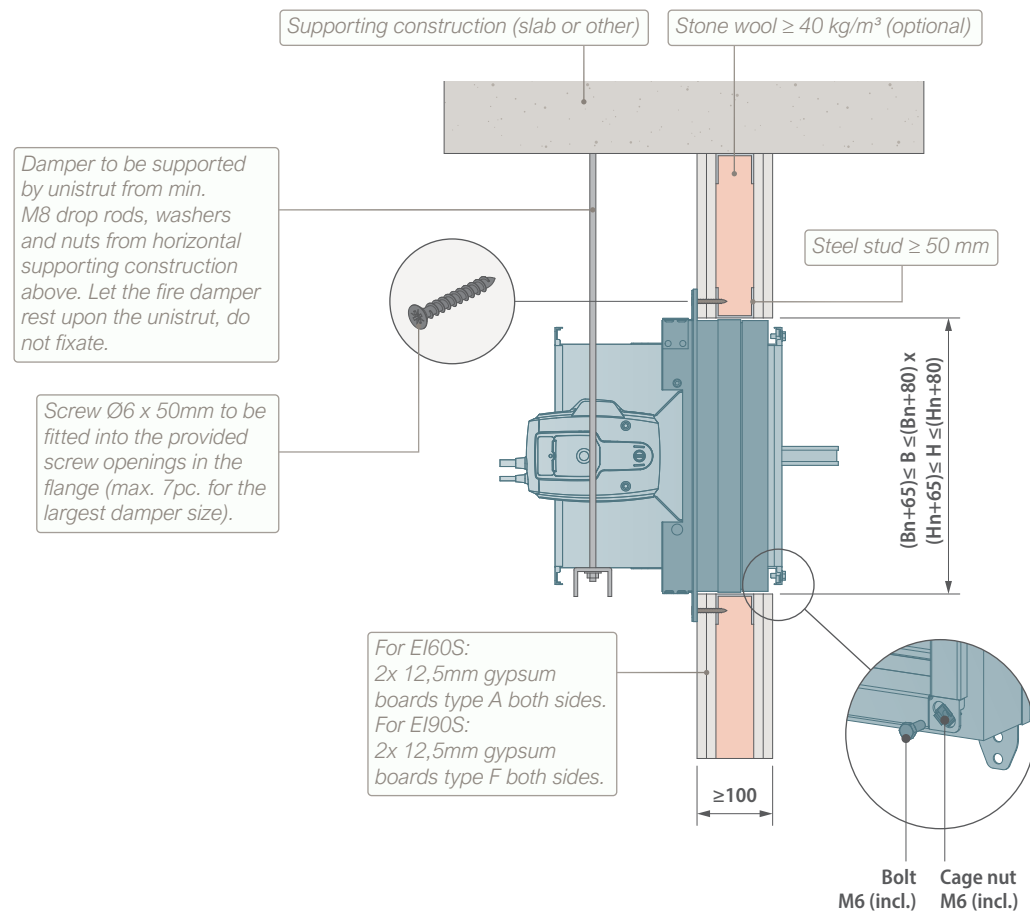
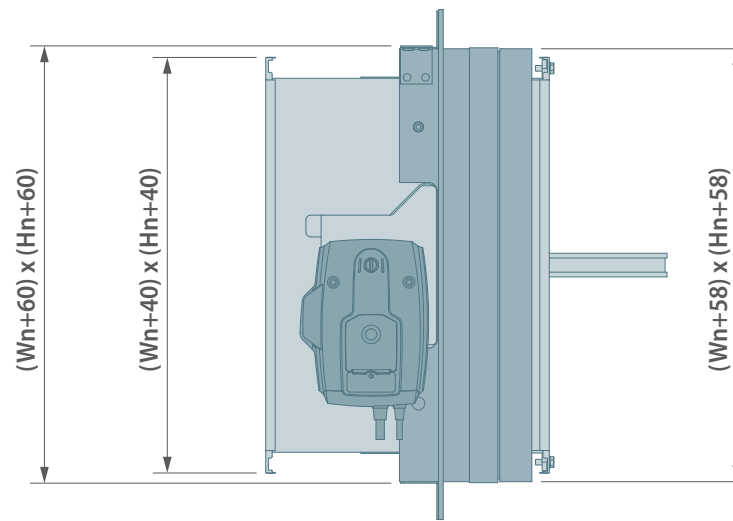
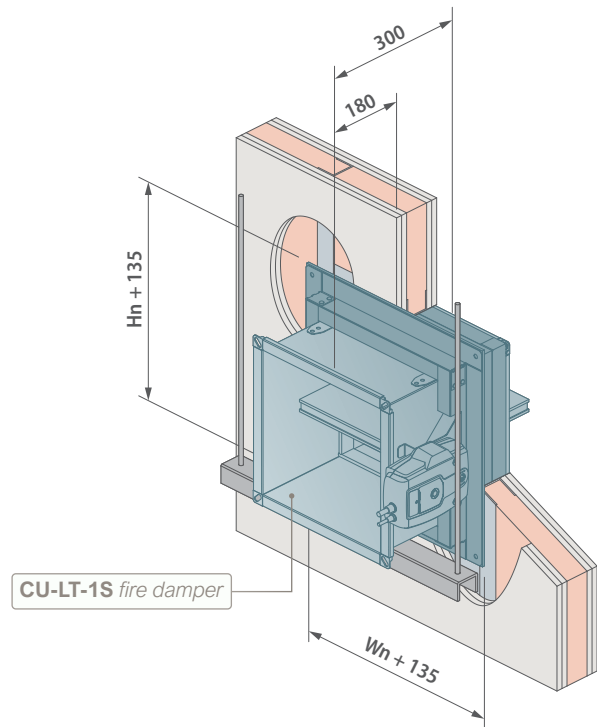


**CU-LT-1S FIRE DAMPER**



Dimension suspension system acc. to weight and required fire resistance.

**TECHNICAL FEATURES**

- Damper range (WxH): 200x100 till 800x600.
- Damper can be installed with blade in vertical or horizontal position.



- Damper can be installed with mechanism on either side of the wall (independent of fire side).
- To be read in conjunction with the CU-LT-1S Fire Damper Technical Datasheet.
- Guidelines acc. to DW144/145 (not required for CE):
  - Provide appropriate break-away / flexible joint between fire damper and connecting ductwork on both sides of the assembly (DW145: eg socket & spigot or flanged with appropriate fixings eg plastic cleats, clips, clamps, bolts, aluminium alloy rivets etc.).
  - Provide a panel in the adjacent ductwork to allow access to the internal components of the fire damper. Rf-T can provide an inspection opening on the damper body upon request (option UL).
  - Ductwork must be independently supported and installed (DW144).
- Dimensions in mm unless otherwise stated.

**TECHNICAL DATASHEET**



**INSPECTION AND HANDOVER CHECK LIST**



**PLAN TITLE**

CU-LT-1S fire damper in flexible supporting construction.

**CLASSIFICATION**

EI 60/90 (ve i↔o)S



REV  
A

DATE  
23/01/2025

